



www.sdgspa.it

Customer: Standard

Code: 250

Product: Cup 250 - Content: 290ml

Board Composition: 100% virgin fiber with

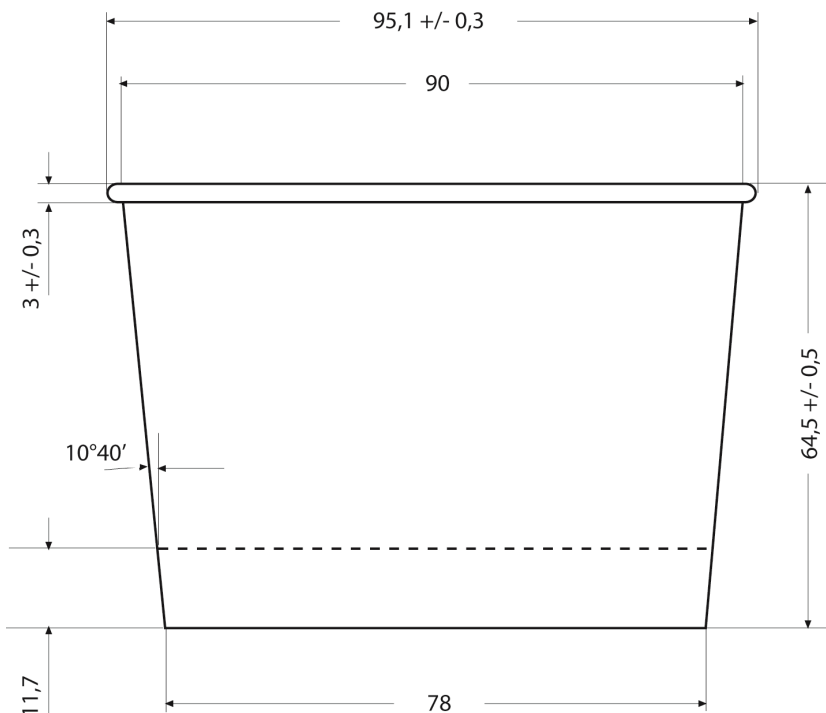
Polyethylene coating 270+15PE g/mq

Printing type: OFFSET

Product Weight: 79,9 g

IMAGE AND TECHNICAL DRAW /

The size are in mm.



PACKAGING PRODUCT /

Box Type: Waved carton box Havana brown

External Box size (W x L x H): 600 x 400 x 585h mm

Gross weight: 10,1 kg

Net weight : 8,6 kg

Unit / Pack: 40

Packs / Box: 24

Unit / Box: 960

Packs Type: Polyethylene packs

Label per pack: Yes

Label per box: Yes

Box / Pallet: 16

Box per layer: 4 **Layers per pallet:** 4

Size pallet: 80 x 120 losing

Pallet hight: about 2,5 m (with pallet)

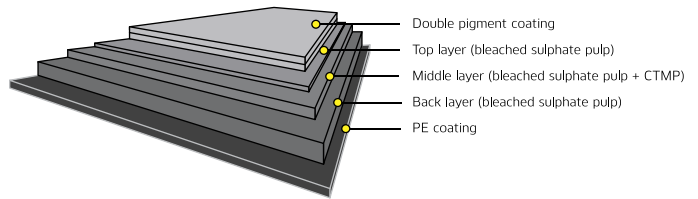
You can also find this product in the following designs:

BIANCA	Code 250-00 EAN Code 8032532910948
LATTE FRUTTA AZZURRA	Code 250-12 EAN Code 8032532912874
TUTTI FRUTTI	Code 250-10 EAN Code 8032532913536
TEXT	Code 250-22 EAN Code 8032532918159
BUBBLES VIOLA	Code 250-24 EAN Code 8032532919118

TECHNICAL SPECIFICATIONS:

Property / unit	Standard	
Coated board:		
Grammage, g/m ²	285	ISO536
PE, g/m ²	15	Mill Method
Thickness, µm	400	ISO 534
Baseboard:		
Bending resistance L&W 15°MD, mN	360	ISO2493-1
Bending resistance L&W 15°CD, mN	165	ISO2493-1
Stretch CD, %	6.0	ISO1924-3

The cardboard used and the product are FSC® certified



The raw materials used for the manufacture of the product are of European origin.

Inks and varnishes are low odor and low migration suitable for printing of primary packaging produced in accordance with the **EUPIA** guidelines.

CONFORMITY AND WAY OF EMPLOYMENT: /

According to internal tests regarding the technological suitability, SDG declares that the product can be used in the following ways:

The artifact may be used, together with the food, in a traditional oven SI NO
If Yes, indicate time and maximum temperature _____

The artifact may be used, together with the food, in a microwave oven SI NO
If Yes, indicate time and maximum power _____

The artifact may be used, together with the food, at low temperatures SI NO
If Yes, indicate time and minimum temperature (-18°C per 24 months)

It is recommended to verify technological suitability in the final real application according to the timing and temperatures of use.

This product is food contact suitable according to the CE n° 1935/2004 regulation, CE 10/2011 regulation and following updates and to the D.M. of the 21st march 1973.

It is not suitable to contain baby food.

This product is disposable, it is recommended to use within 3 years from the manufacturing date.

It must be stored in a dry place, faraway from sun rays and heat sources (0°C +35°C).

Acceptable quality level (**AQL**): 1% of the lot delivered

THIS PRODUCT IS NOT A TOY.